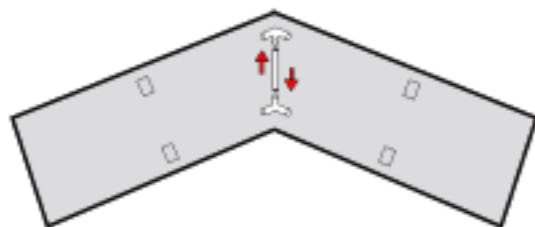
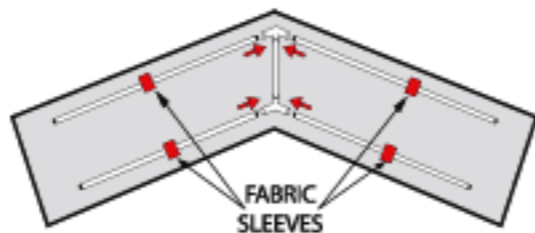


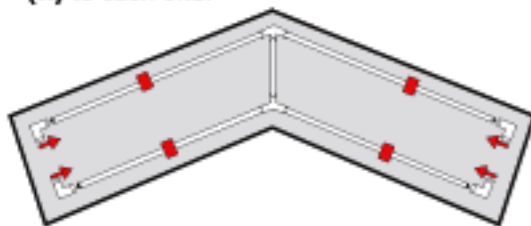
**Fig. 1**  
Starting at the middle, place two 3-Way Connectors (G) on one 5 1/4" Tube (E).



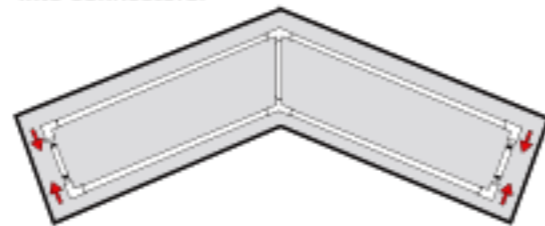
**Fig. 2**  
Slip two 15 1/4" Tubes (B) and two 12" Tubes (D) through fabric sleeves and into the remaining holes in the 3-Way Connectors (G).



**Fig. 3**  
Connect four 2-Way Connectors (H) to each end.



**Fig. 4**  
Connect the last two 5 1/4" Tubes (E) into connectors.



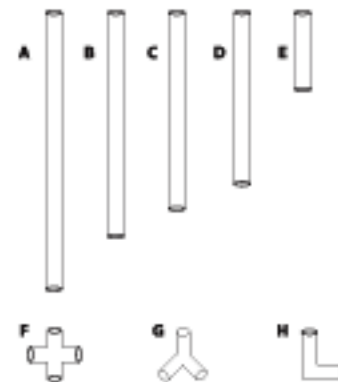
# OUTHOUSE

## Assembly Instructions

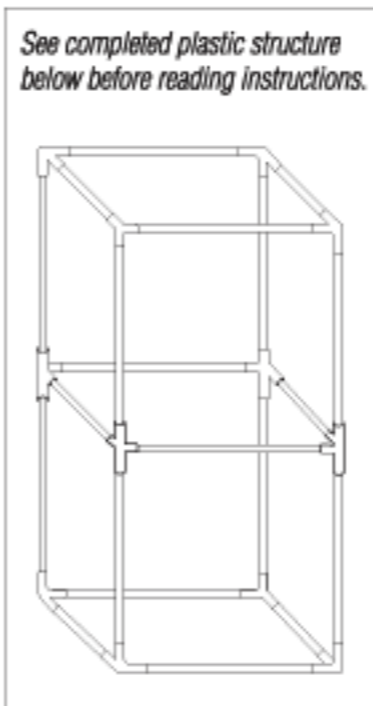
### Components included:

- A • 6 pcs - 20 1/4" Tubes
- B • 2 pcs - 15 1/4" Tubes
- C • 8 pcs - 14 1/2" Tubes
- D • 8 pcs - 12" Tubes
- E • 3 pcs - 5 1/4" Tubes
- F • 4 pcs - 4-Way Connectors
- G • 10 pcs - 3-Way Connectors
- H • 4 pcs - 2-Way Connectors

NOTE: Extra parts may be enclosed.

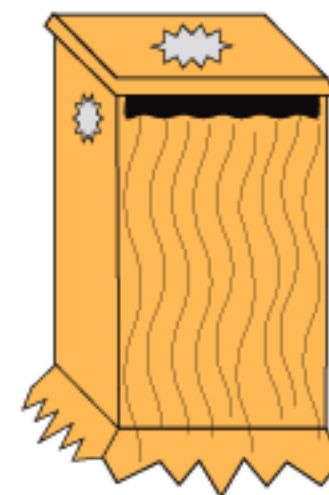
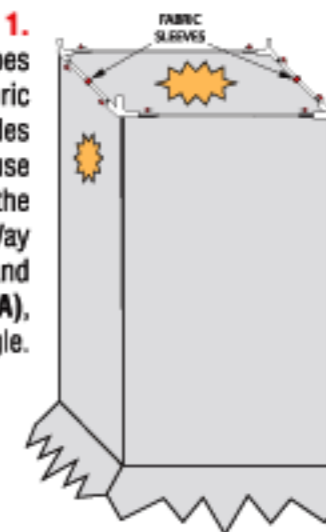


### COSTUME



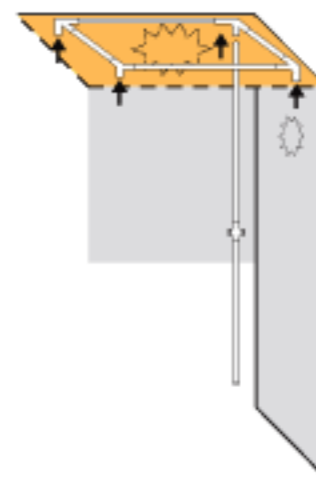
Turn Outhouse inside out.

**Fig. 1.**  
Insert two 12" Tubes (D) into the fabric sleeves on the sides of the Outhouse top. Connect the ends with 3-Way Connectors (G) and two 20 1/4" Tubes (A), forming a rectangle.

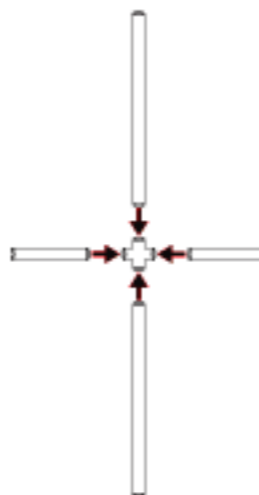


Turn Outhouse outside out.

**Fig. 3.**  
Connect the frame to the 3-Way Connectors (G) on the top of the Outhouse, forming the 4 walls.



**Fig. 2.**  
Connect two 14 1/2" Tubes (C) with a 4-Way Connector (F). Repeat, creating 4 long tubes. Connect the 4-Way Connectors (F) in the center of the 4 long tubes with two 12" Tubes (D) and two 20 1/4" Tubes (A), creating a rectangular frame.



**Fig. 4.**  
Attach 3-Way Connectors (G) to the bottoms of the frame and connect with remaining two 12" Tubes (D) and two 20 1/4" Tubes (A).

